

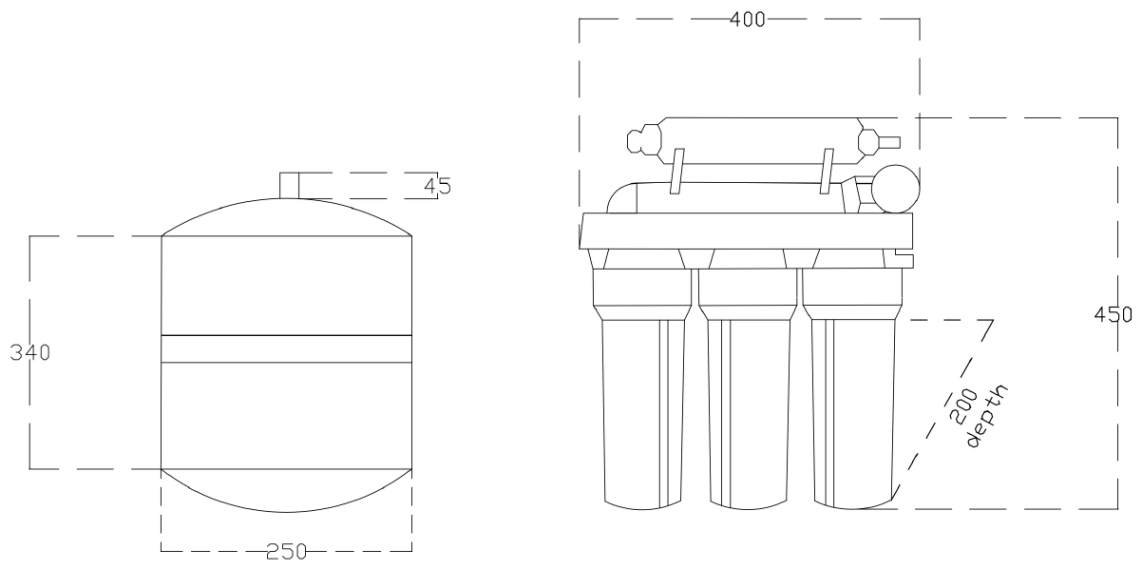
Reverse Osmosis (RO)

1. Installation requirements

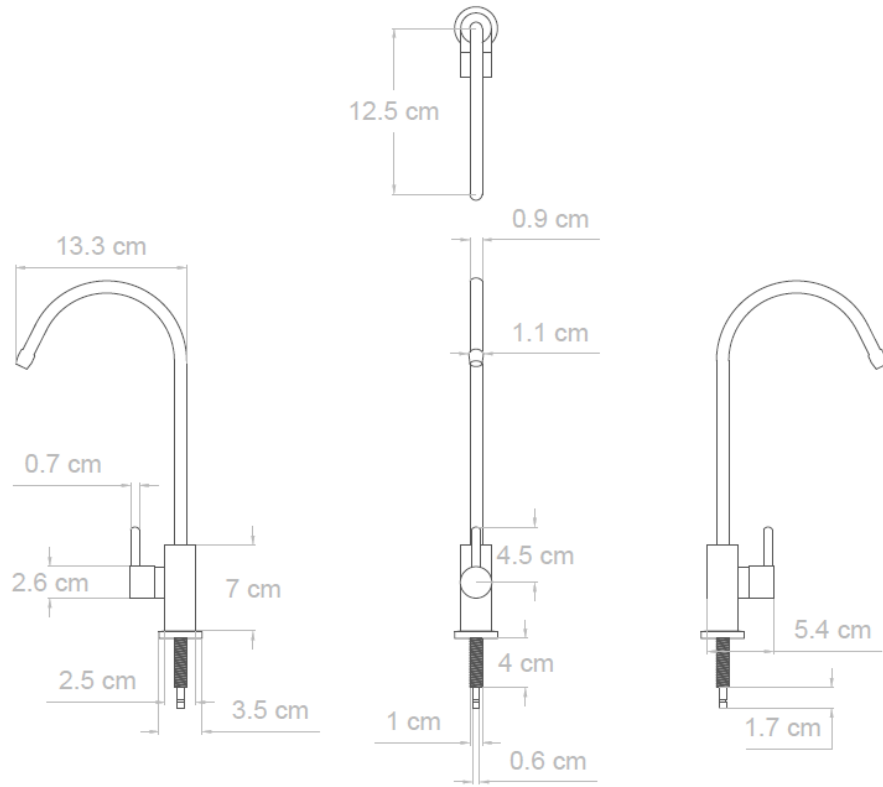
- **Power Supply.** A standard wall plug has to be available within 1 metre of the RO so as to be able to switch power on and off at ease.
- **Water supply.** Same water supply that goes to the kitchen tap should be used. RO should be within a metre of the water supply.
- **Drain:** A water drain should be available within a metre of the RO.
- **Reverse Osmosis Mixer:** There is the option to purchase a mixer from Bajada New Energy that has cold and hot water as well as supply from an RO; or else we could install the mixer that comes with the RO however we will perforate the sink only if it is stainless steel, perforations in other material need to be prepared by the client before our visit.

2. Dimensions

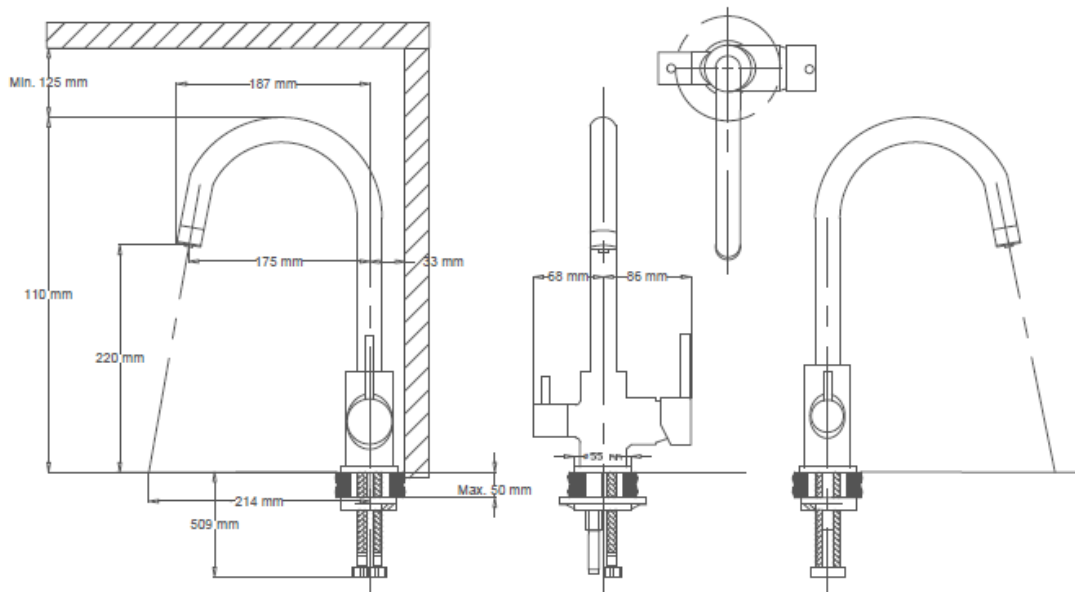
a. Reverse Osmosis Unit



b. Tap included with system



c. Dual Tap (sold separately)



Other

- **Water Wastage**
 - Depending on the TDS (Total dissolved solids part per million) found in the tap water in your area, the RO will waste anything between 30% to 60%.
- **Wastage Recycling**
 - Can be done especially if a yard is close by, as this would only require the water drain pipe to be fed outside to collect the water.
 - There is the option to pump the water back into the roof tank but this can be a bit more complicated as it will compromise the pump and membrane unit of your reverse osmosis. Although the RO unit generates enough pressure to lift the water to the roof you will automatically void the warrantee cover of the pump.
- **Filter Cost**
 - Costs can be seen in the maintenance section
 - Having a maintenance agreement will lower the costs of the filters

Under-Sink Installation Agreement for Reverse Osmosis.

The charge for this installation is €50 and is based on the following;

1. A cold-water supply is readily available through an angle valve, underneath the kitchen sink or in the area of installation of the Reverse Osmosis unit and within a metre of the RO.
2. A power supply is readily available within a metre of where you intend the RO to be. No extensions cords are permitted for safety reasons.
3. A drain is available within a metre of where you intend the RO to be.
4. Bajada New Energy will install only mixers bought from us or supplied with the RO, however perforation in the sink will only be done if the sink is stainless steel, if it is not the perforation has to be prepared before the installation is scheduled.
5. Should the installation not be possible and no suitable alterations can be made at the time, another appointment would be needed however a call charge would apply.

Remote Installation Agreement for Reverse Osmosis.

The charge for this installation is €75 per hour or part thereof and is based on the following;

1. A cold-water supply is readily available through an angle valve in the area of installation of the Reverse Osmosis unit and within a metre of the RO
6. A power supply is readily available where you intend the RO to be. No extensions cords are permitted for safety reasons.
2. A drain is available within a metre of where you intend the RO to be.
3. Bajada New Energy will install only mixers bought from us or supplied with the RO, however perforation in the sink will only be done if the sink is stainless steel, if it is not the perforation has to be prepared before the installation is scheduled.
4. Should the installation not be possible and no suitable alterations can be made at the time, another appointment would be needed however a call charge would apply.
5. The weather ambient protection is the responsibility of the client if installed in external areas.

Date: _____

Client Name: _____

Client Signature: _____